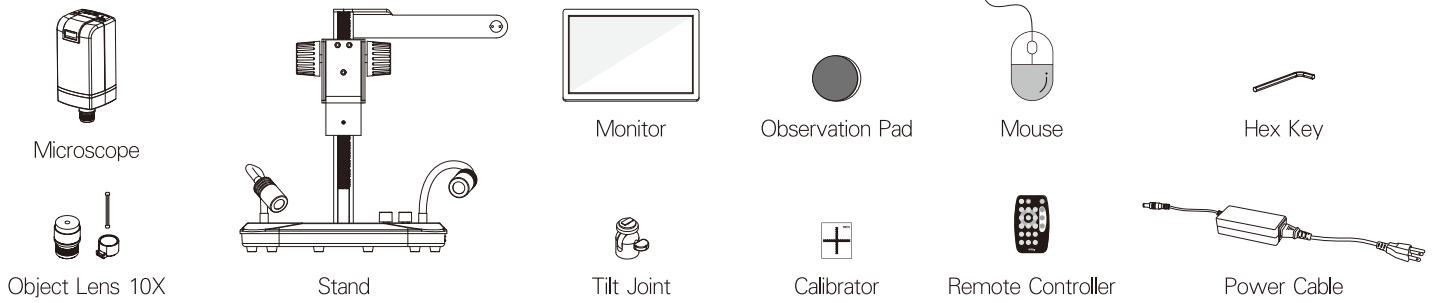
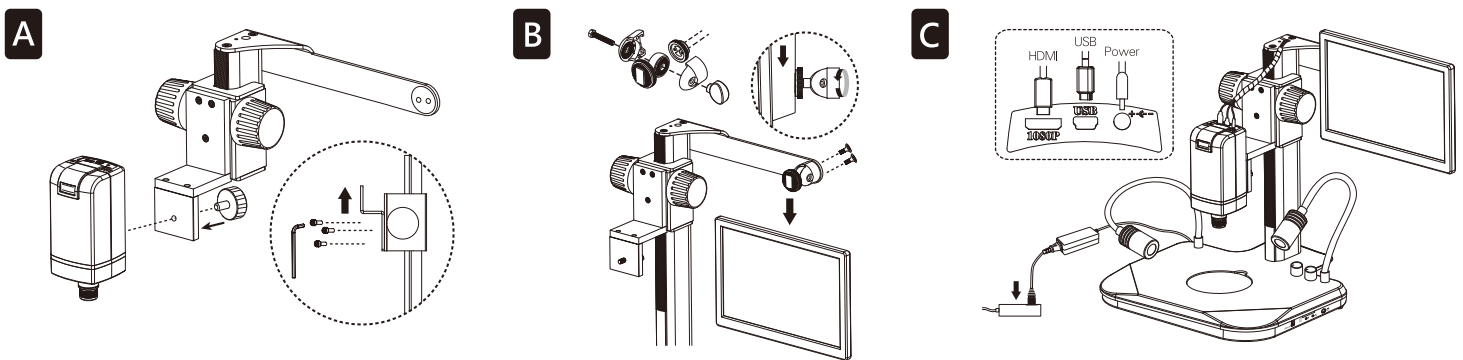


VS-100 Instruction

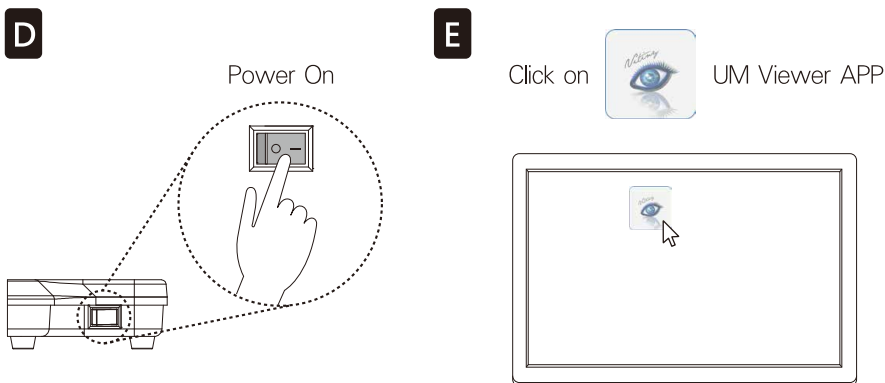
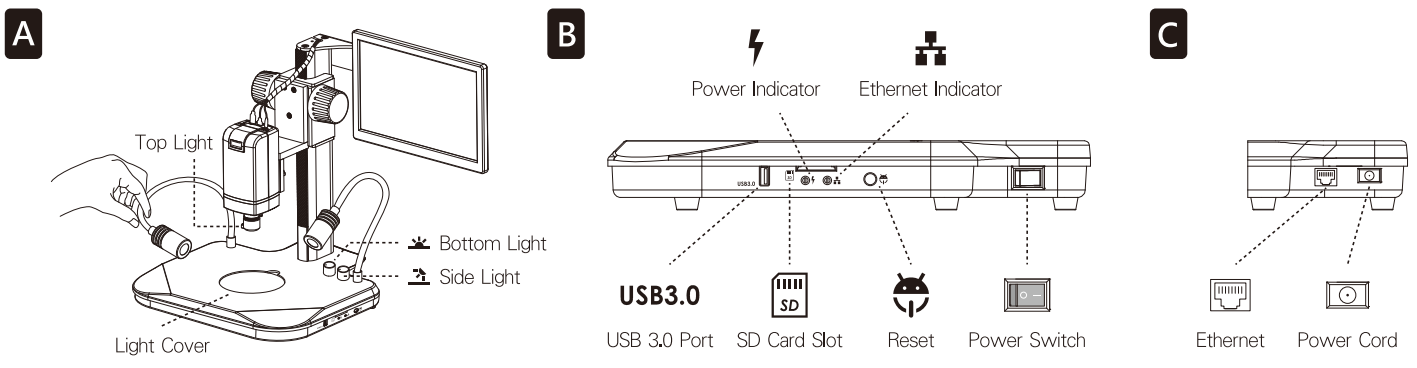
1 Packing Contents



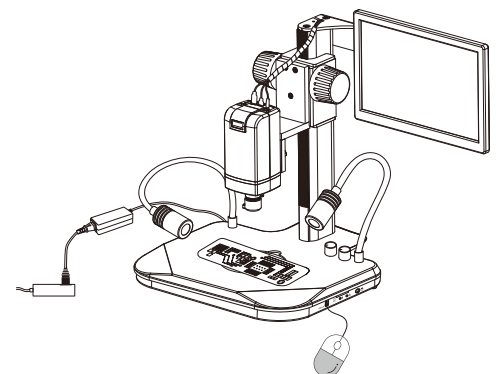
2 Assembling Steps



3 Machine Introduction



4 Ways for Observation



5 Software Interface



6 Monitor Language Setup



1. Press **MENU**



2. Press **+** and choose "Other"
3. Press **MENU** to Confirm



4. Press **+** to select "Language"
Press **MENU** to enter
5. Select Language, Press **MENU** to Confirm

7 Magnification Chart

| 4X-LENS on 11.6" Monitor (Reference data) | | | | | | | | | |
|---|------|------|------|------|------|------|------|------|------|
| Focus section | 0 | 1 | 2 | 3 | 4 | 5 | 6 | 7 | 8 |
| Sensor position | --- | 1620 | 1595 | 1565 | 1520 | 1455 | 1420 | 1375 | 1350 |
| WD(mm) | 282 | 214 | 187 | 161 | 134 | 108 | 97.0 | 86.5 | 81.5 |
| FOV(mm) | 52.7 | 40 | 35 | 30 | 25 | 20 | 18 | 16 | 15 |
| Mag. (X) | 4.8 | 6.4 | 7.3 | 8.5 | 10.2 | 12.8 | 14.2 | 16 | 17.1 |
| Focus section | 9 | 10 | 11 | 12 | 13 | 14 | 15 | 16 | 17 |
| Sensor position | 1315 | 1280 | 1240 | 1190 | 1130 | 1095 | 1055 | 1015 | 965 |
| WD(mm) | 76.0 | 70.5 | 65.5 | 60.0 | 55.0 | 52.0 | 49.5 | 47 | 44.0 |
| FOV(mm) | 14 | 13 | 12 | 11 | 10 | 9.5 | 9 | 8.5 | 8 |
| Mag. (X) | 18.3 | 19.7 | 21.3 | 23.3 | 25.6 | 26.9 | 28.4 | 30.1 | 32 |
| Focus section | 18 | 19 | 20 | 21 | 22 | 23 | 24 | 25 | 26 |
| Sensor position | 910 | 850 | 775 | 695 | 595 | 475 | 330 | 150 | 60 |
| WD(mm) | 41.5 | 39.0 | 36.5 | 33.5 | 31.0 | 28.5 | 26.0 | 23.0 | 22 |
| FOV(mm) | 7.5 | 7 | 6.5 | 6 | 5.5 | 5 | 4.5 | 4 | 3.8 |
| Mag. (X) | 34.1 | 36.6 | 39.4 | 42.7 | 46.5 | 51.2 | 56.9 | 64 | 67.4 |

| 10X-LENS on 11.6" Monitor (Reference data) | | | | | | | | | |
|--|------|------|------|------|------|------|------|------|-----|
| Focus section | 1 | 2 | 3 | 4 | 5 | 6 | 7 | 8 | 9 |
| Sensor position | 1790 | 1725 | 1650 | 1565 | 1475 | 1375 | 1265 | 1135 | 985 |
| WD(mm) | 10 | 9.7 | 9.4 | 9.1 | 8.8 | 8.5 | 8.2 | 7.9 | 7.6 |
| FOV(mm) | 2.3 | 2.2 | 2.1 | 2.0 | 1.9 | 1.8 | 1.7 | 1.6 | 1.5 |
| Mag. (X) | 111 | 116 | 122 | 128 | 135 | 142 | 151 | 160 | 171 |
| Focus section | 10 | 11 | 12 | 13 | 14 | | | | |
| Sensor position | 815 | 625 | 400 | 135 | 45 | | | | |
| WD(mm) | 7.3 | 7.0 | 6.7 | 6.4 | 6.3 | | | | |
| FOV(mm) | 1.4 | 1.3 | 1.2 | 1.1 | 1.07 | | | | |
| Mag. (X) | 183 | 197 | 213 | 233 | 239 | | | | |

8 Monitor Specification

| M20 Monitor | |
|---------------------|---------------------|
| LCD size | 11.6 inch TFT-LCD |
| Resolution | 1920*1080 IPS Panel |
| Signal input | VGA / HDMI |
| Multicolor model | PAL / NTSC / SECAM |
| Working temperature | -5~+50 degree |
| Dimension | 290x185x(T)35mm |
| Language | 10 languages |