

4x Long Focus Lens Instruction

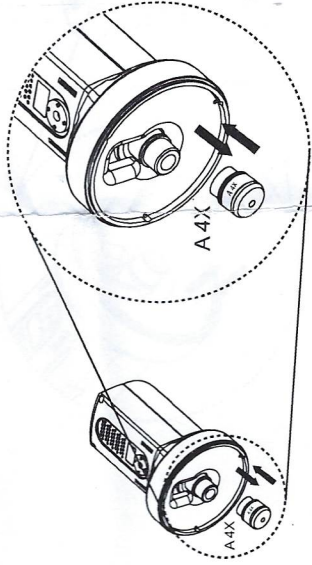
Accessory Parts



4X Long Focus Lens x 1pc

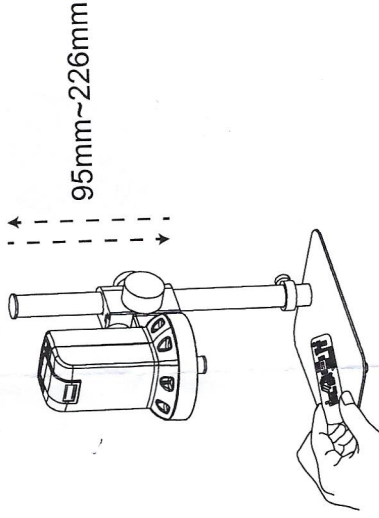
2 Assembling Step

Change the original lens to the 4x Long Focus Lens



3 Way of Observation

The working distance is around 95mm~226mm, depending on model.



Reference Table for 4x Long Focus Lens

When switch to 4x Long Focus Lens, please use below chart as references. It is suggested to TURN OFF the Status bar by press the remote control. When connect to software for measurement function, please set up new scale and calibrate every time manually.

UM06				
Object lens 4X-long focus on 24" screen (Reference data)	1	2	3	4
Working Distance (mm)	218	181	111	95
F,S Field of View (mm)	15.1	12.1	7	5.8
C Field of View (mm)	11.2	9	5	4.4
F Magnification (X)	23x	29x	50x	60x
S Magnification (X)	32x	40x	68x	80x
C Magnification (X)	43x	53x	95x	110x

UM08							
Object lens 4X-long focus on 24" screen (Reference data)	1	2	3	4	5	6	7
Working Distance (mm)	226	198	170	142	114	103	95
Field of View(mm)	23	20	16.8	13.6	10.3	9.2	8.5
Magnification (X)	20x	24x	28x	35x	47x	52x	57x

Long Focus 4x Lens